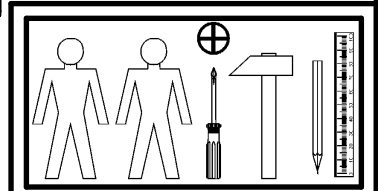
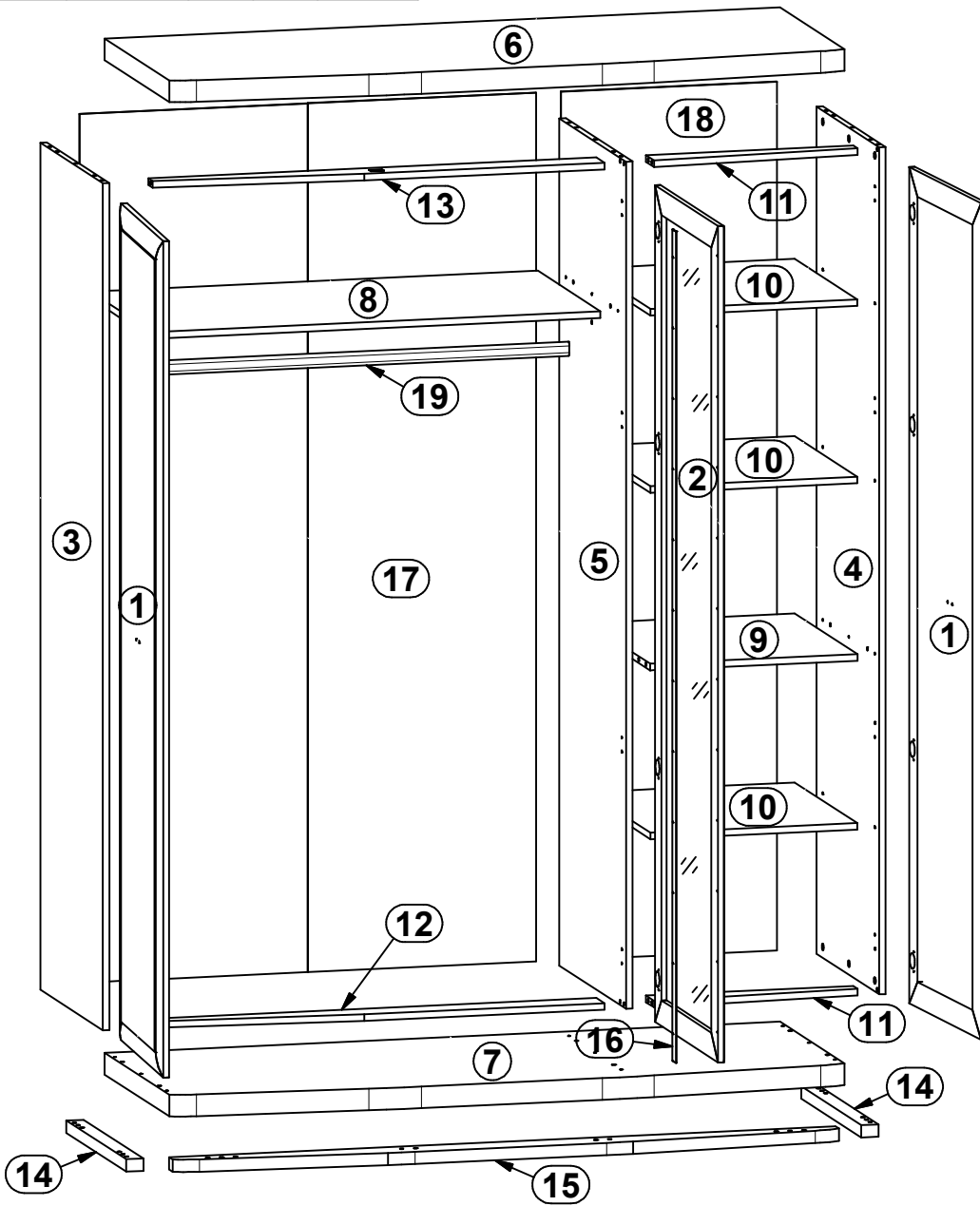
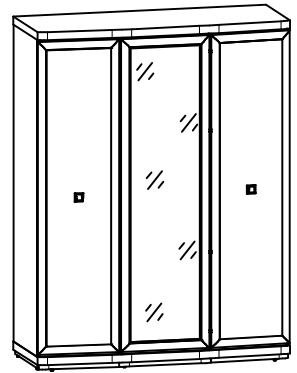


OREGON

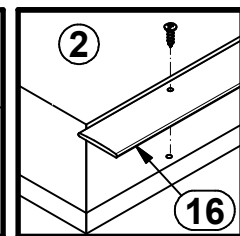
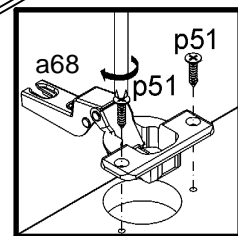
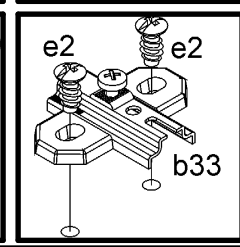
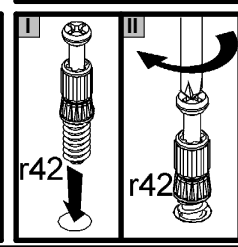
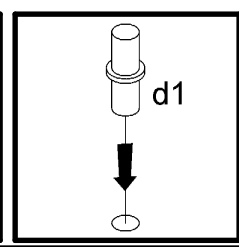
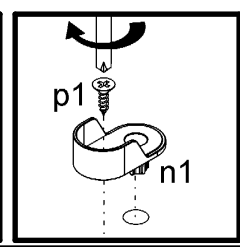
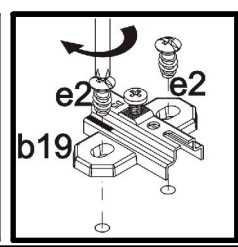
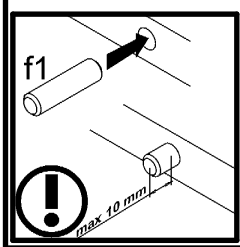
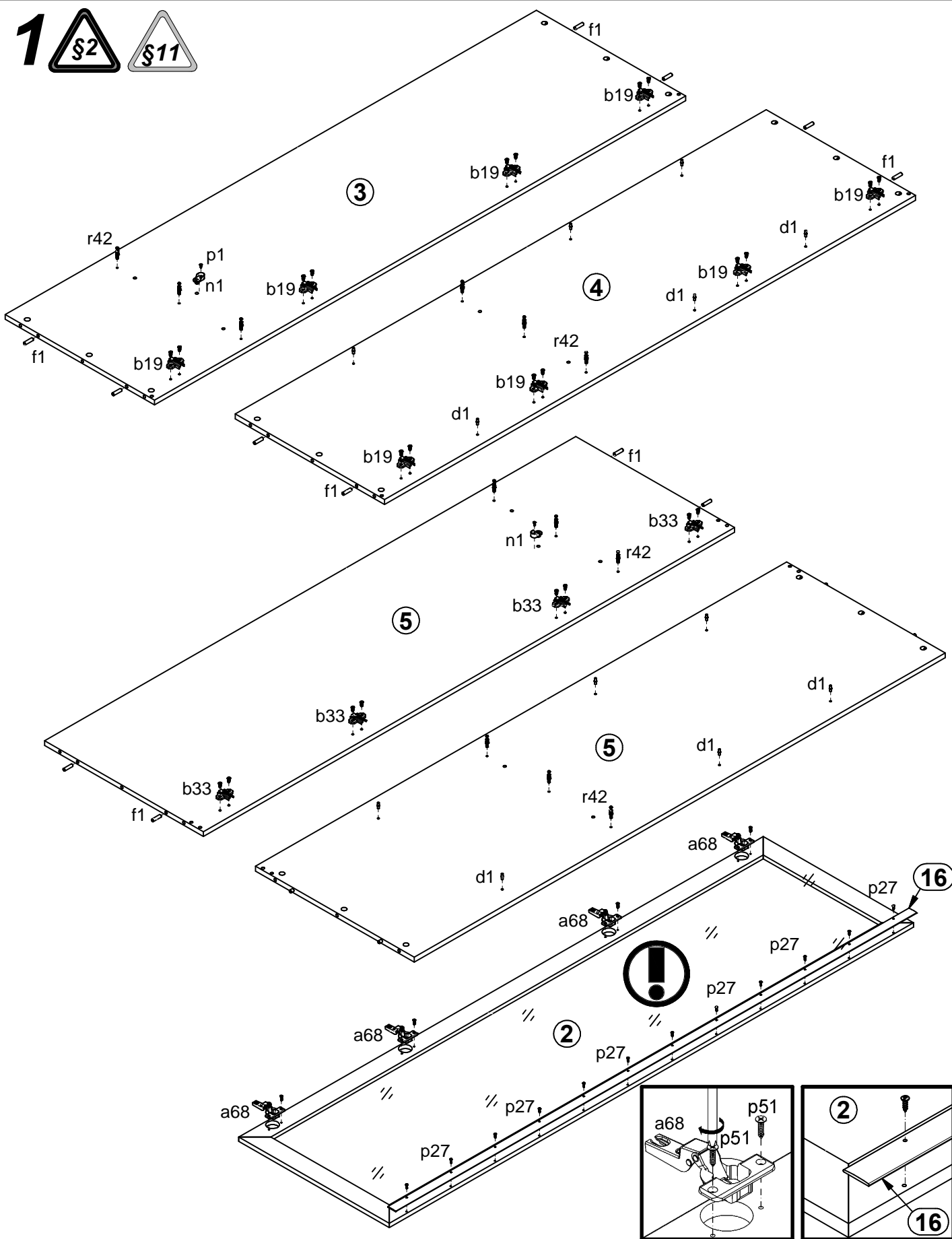
S157-SZF3D

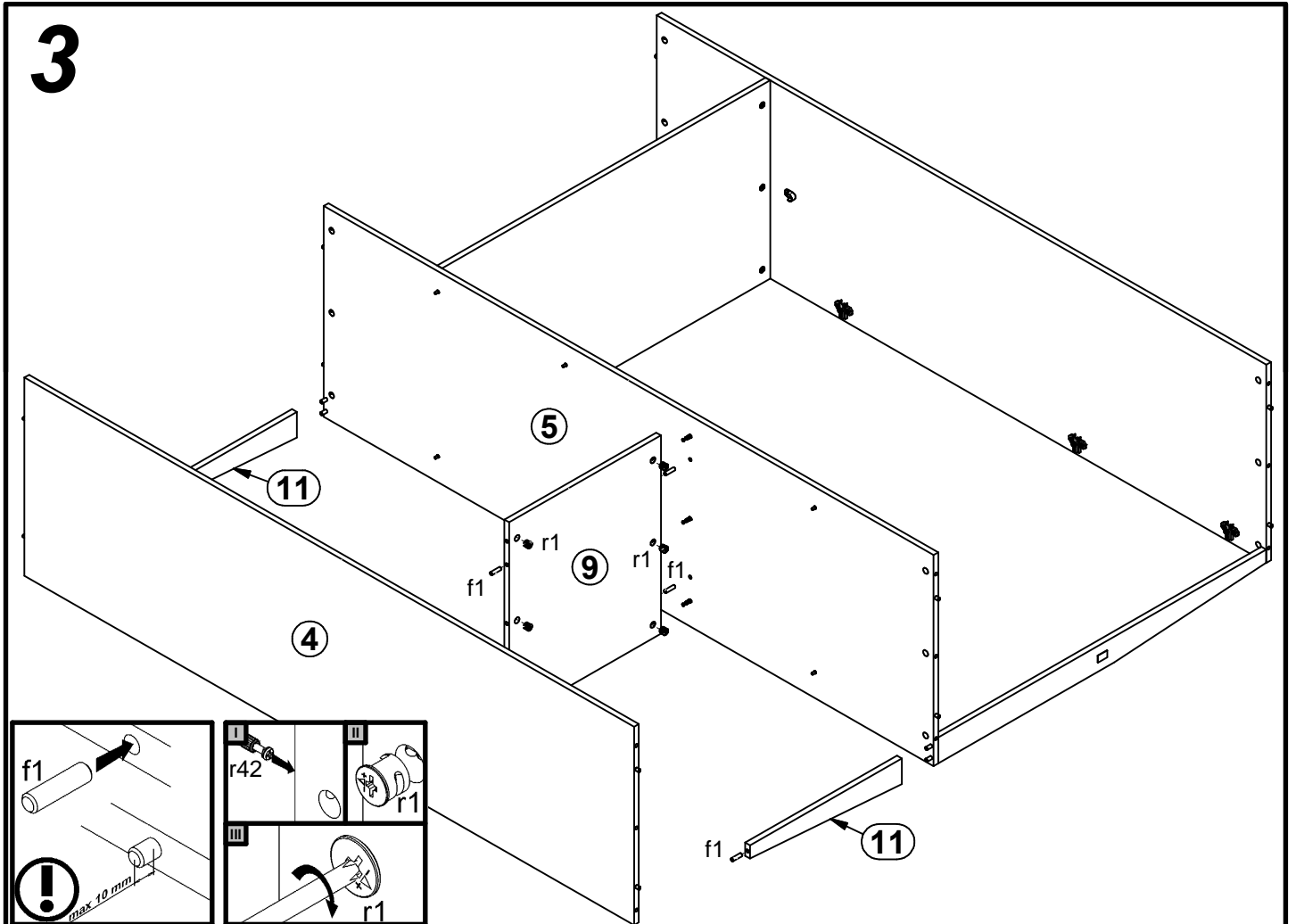
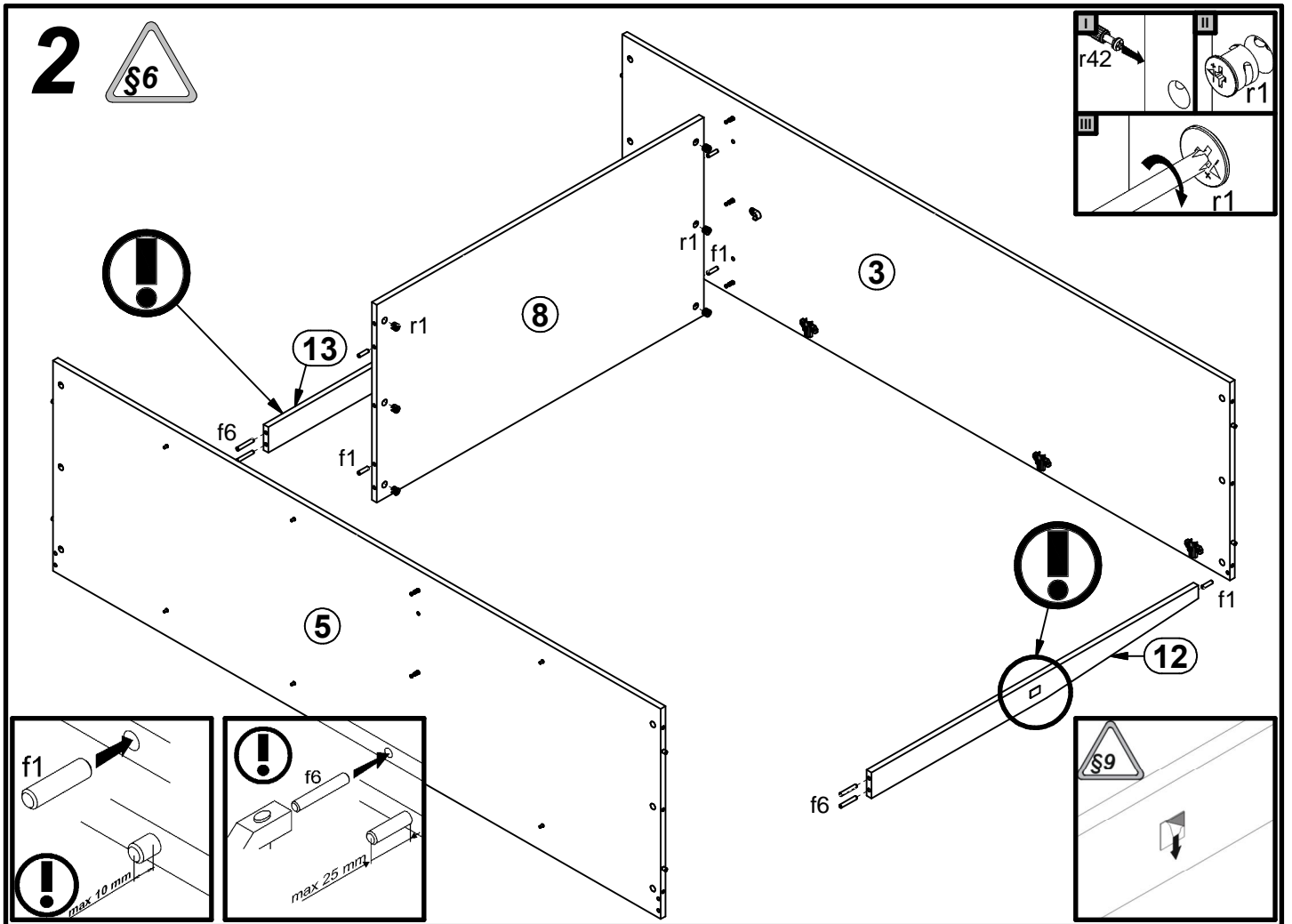
A	B	C	D	A	B	C	D		
1	S157-016	1896	494	4/5	11	S157-411	478	70	2/5
2	S157-017	1896	544	5/5	12	S157-414	1033	70	2/5
3	S157-130	1920	540	1/5	13	S157-415	1033	70	2/5
4	S157-131	1920	540	1/5	14	S157-503	515	40	2/5
5	S157-132	1920	574	1/5	15	S157-513	1538	74	2/5
6	S157-216	1558	599	2/5	16	S157-517	1884	29	1/5
7	S157-217	1558	599	2/5	17	S157-918	1969	1053	1/5
8	S157-314	1033	540	3/5	18	S157-919	1969	498	1/5
9	S157-315	478	540	3/5	19	dr-1026	1026	30	1/5
10	S157-316	477	539	3/5					

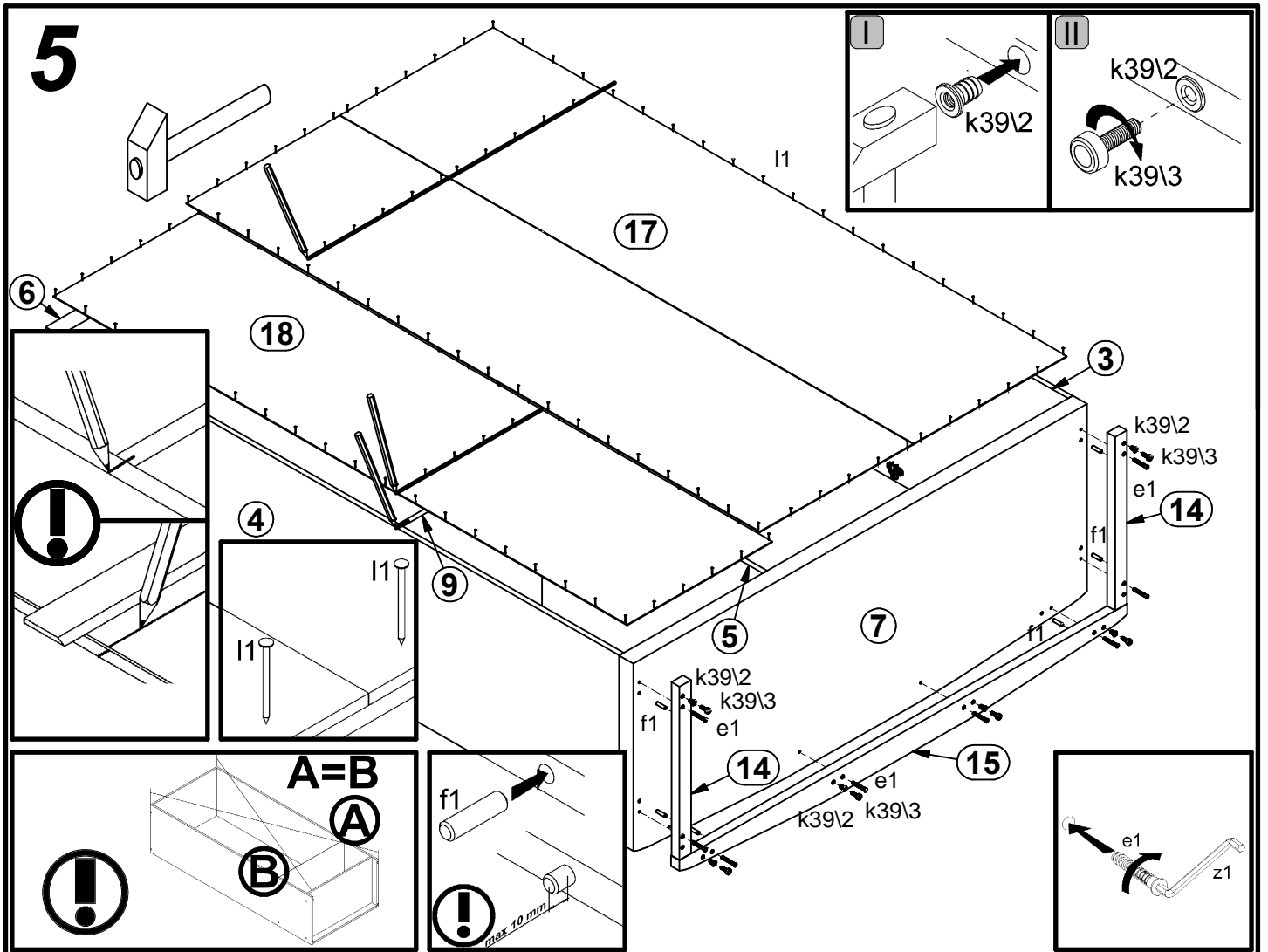
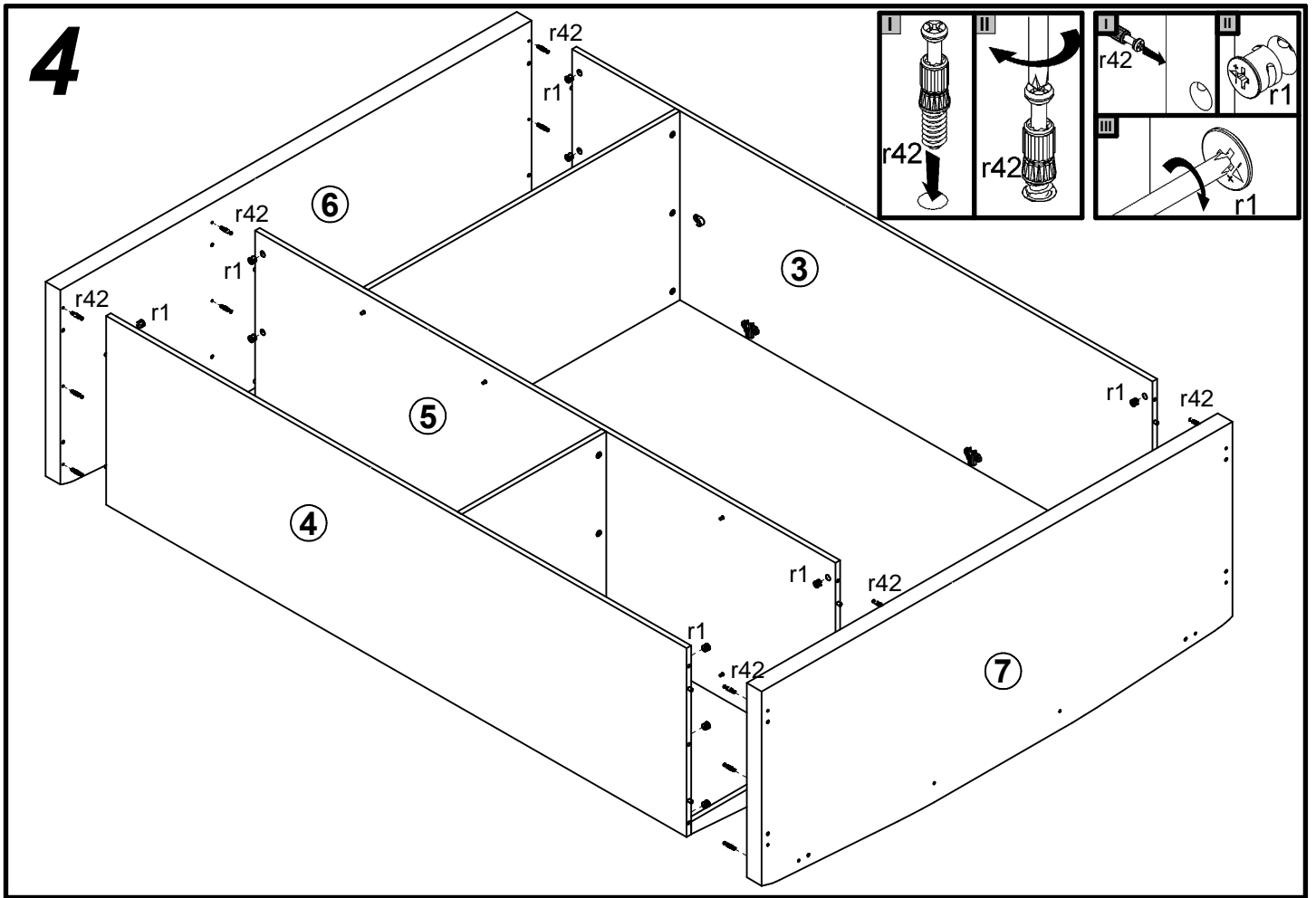


8x a44	4x a68	8x b19	4x b33	2x c333	12x φ5x17 mm d1	8x φ7x50 mm e1	24x φ6,3x13 mm e2	30x φ8x30 mm f1
4x φ8x50 mm f6	4x M4x18 mm j59	6x M6/φ9x14 mm k39/2	6x M6/22mm k39/3	125x l1	2x n1	2x φ3,5x13 mm p1	12x φ3,5x13 mm p27	24x φ3,5x15 mm p51
30x φ1,5x12mm #16 r1	30x r42	24x φ16 s2	1x z1					

1  







6

